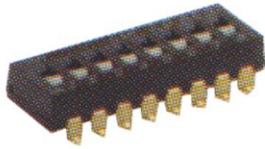


DP2-A 2.54mm拨码开关



产品特性

- 小尺寸设计节省空间
- 插板端子及SMT端子形式
- 电流值 24VDC 25mA
- 5VDC 100mA
- 端子间距 2.54mm

典型应用

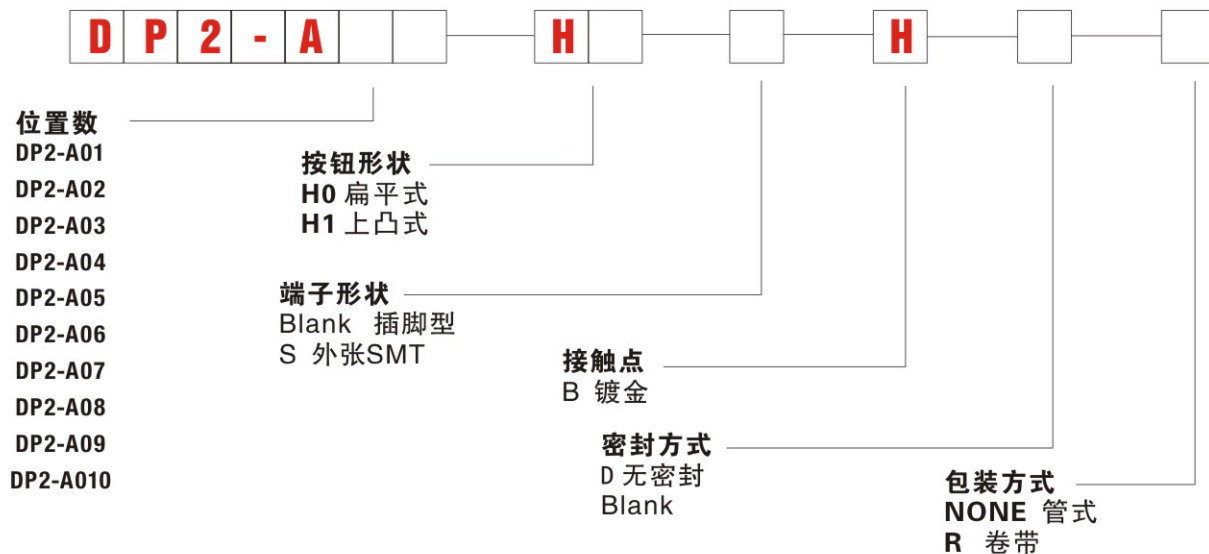
- 手持式电子设备
- 便携式计算机及相关设备
- 仪表及控制相关设备

产品规格

- 标称值：25 mA @ 24 VDC
100 mA @ 5 VDC
- 机械与电气寿命：1000 Cycles
- 接触电阻：50MΩ
- 绝缘电阻：100MΩ（端子间）
- 抗电强度：300 VDC min.
- 操作力：800g max.
- 可焊性：MIL-STD-202F 208D
- 包装：IC管式或卷带式

材质

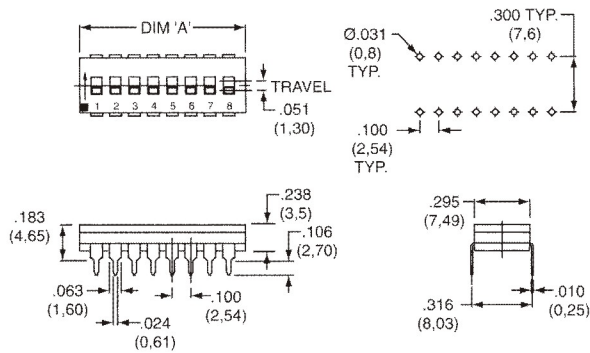
- 上盖&底壳：PPS(UL 94V-0)
- 按钮：PA6T(UL 94V-0)
- 接触片：镀铜镀金
- 端子：黄铜镀金
- 密封：薄膜片



Third Angle Projection

Dimensions are shown: inches(mm)
Specifications and dimensions subject to change

扁平按钮—无密封膜—插针式端子



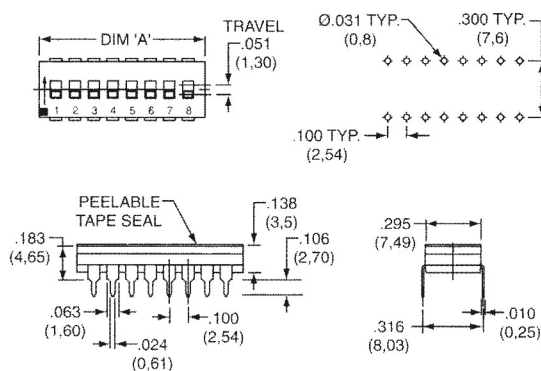
NOTE: DP2-A 01 options are 4,25mm thick

ROHS PART NUMBER	NO. POS.	DIM. 'A'	QUANTITY PER TUBE
DP2-A01H0BD	1	.178 (4,52)	100
DP2-A02H0BD	2	.278 (7,06)	60
DP2-A03H0BD	3	.378 (9,60)	45
DP2-A04H0BD	4	.476 (12,10)	35
DP2-A05H0BD	5	.578 (14,68)	30
DP2-A06H0BD	6	.676 (17,18)	25
DP2-A07H0BD	7	.778 (19,76)	20
DP2-A08H0BD	8	.876 (22,26)	20
DP2-A09H0BD	9	.978 (24,84)	15
DP2-A10H0BD	10	1.076 (27,34)	15
DP2-A12H0BD	12	1.279 (32,50)	14

Schematic
 SPST

DP、MD系列拨码、检测开关

扁平按钮—无密封膜—插针式端子



NOTE: DP2-A 01 options are 4,25mm thick

ROHS PART NUMBER	NO. POS.	DIM. 'A'	QUANTITY PER TUBE
DP2-A01HOB	1	.178 (4,52)	100
DP2-A02HOB	2	.278 (7,06)	60
DP2-A03HOB	3	.378 (9,60)	45
DP2-A04HOB	4	.476 (12,10)	35
DP2-A05HOB	5	.578 (14,68)	30
DP2-A06HOB	6	.676 (17,18)	25
DP2-A07HOB	7	.778 (19,76)	20
DP2-A08HOB	8	.876 (22,26)	20
DP2-A09HOB	9	.978 (24,84)	15
DP2-A10HOB	10	1.076 (27,34)	15
DP2-A12HOB	12	1.279 (32,50)	14

Schematic
 SPST



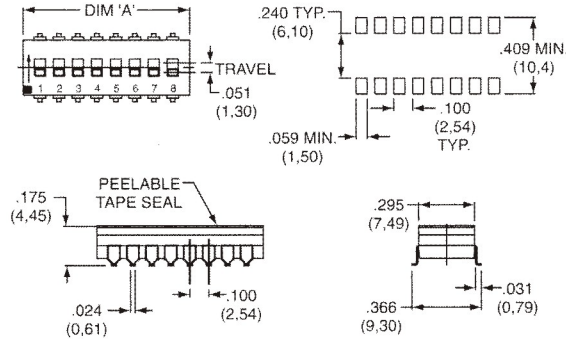
Third Angle Projection
 Dimensions are shown: inches(mm)
 Specifications and dimensions subject to change

扁平按钮—带密封膜—SMT端子

ROHS PART NUMBER	NO. POS.	DIM. 'A'	QUANTITY PER TUBE
DP2-A01H0SB	1	.178 (4,52)	100
DP2-A02H0SB	2	.278 (7,06)	60
DP2-A03H0SB	3	.378 (9,60)	45
DP2-A04H0SB	4	.476 (12,10)	35
DP2-A05H0SB	5	.578 (14,68)	30
DP2-A06H0SB	6	.676 (17,18)	25
DP2-A07H0SB	7	.778 (19,76)	20
DP2-A08H0SB	8	.876 (22,26)	20
DP2-A09H0SB	9	.978 (24,84)	15
DP2-A10H0SB	10	1.076 (27,34)	15
DP2-A12H0SB	12	1.279 (32,50)	14

Schematic

SPST



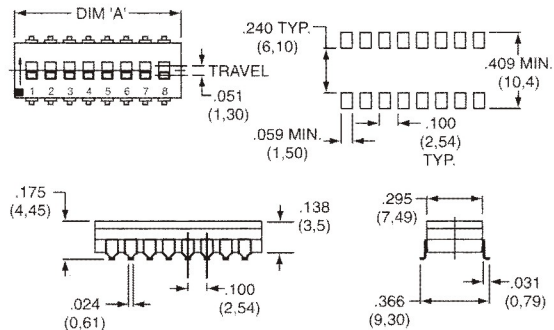
NOTE: DP2-A 01 options are 4,25mm thick

扁平按钮—无密封膜—插针式端子

ROHS PART NUMBER	NO. POS.	DIM. 'A'	QUANTITY PER TUBE
DP2-A01H0SBD	1	.178 (4,52)	100
DP2-A02H0SBD	2	.278 (7,06)	60
DP2-A03H0SBD	3	.378 (9,60)	45
DP2-A04H0SBD	4	.476 (12,10)	35
DP2-A05H0SBD	5	.578 (14,68)	30
DP2-A06H0SBD	6	.676 (17,18)	25
DP2-A07H0SBD	7	.778 (19,76)	20
DP2-A08H0SBD	8	.876 (22,26)	20
DP2-A09H0SBD	9	.978 (24,84)	15
DP2-A10H0SBD	10	1.076 (27,34)	15
DP2-A12H0SBD	12	1.279 (32,50)	14

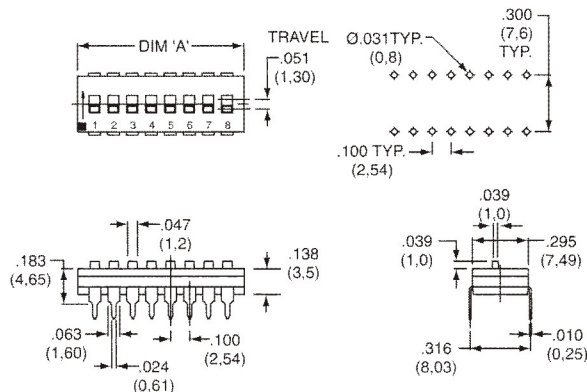
Schematic

SPST



NOTE: DP2-A 01 options are 4,25mm thick

外凸按钮—无密封膜—插针式端子



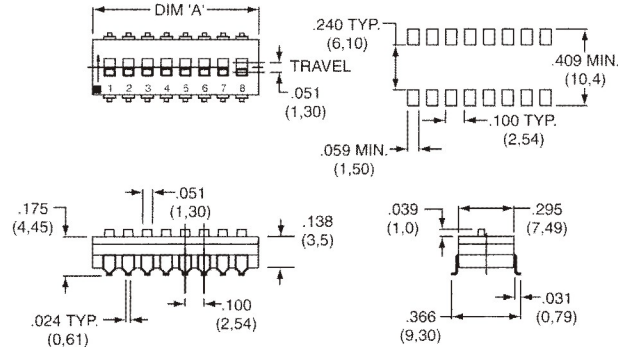
NOTE: DP2-A 01 options are 4,25mm thick

ROHS PART NUMBER	NO. POS.	DIM. 'A'	QUANTITY PER TUBE
DP2-A01H1BD	1	.178 (4,52)	100
DP2-A02H1BD	2	.278 (7,06)	60
DP2-A03H1BD	3	.378 (9,60)	45
DP2-A04H1BD	4	.476 (12,10)	35
DP2-A05H1BD	5	.578 (14,68)	30
DP2-A06H1BD	6	.676 (17,18)	25
DP2-A07H1BD	7	.778 (19,76)	20
DP2-A08H1BD	8	.876 (22,26)	20
DP2-A09H1BD	9	.978 (24,84)	15
DP2-A10H1BD	10	1.076 (27,34)	15
DP2-A12H1BD	12	1.279 (32,50)	14

Schematic

SPST

外凸按钮—无密封膜—SMT端子



NOTE: DP2-A 01 options are 4,25mm thick

ROHS PART NUMBER	NO. POS.	DIM. 'A'	QUANTITY PER TUBE
DP2-A01H1SBD	1	.178 (4,52)	100
DP2-A02H1SBD	2	.278 (7,06)	60
DP2-A03H1SBD	3	.378 (9,60)	45
DP2-A04H1SBD	4	.476 (12,10)	35
DP2-A05H1SBD	5	.578 (14,68)	30
DP2-A06H1SBD	6	.676 (17,18)	25
DP2-A07H1SBD	7	.778 (19,76)	20
DP2-A08H1SBD	8	.876 (22,26)	20
DP2-A09H1SBD	9	.978 (24,84)	15
DP2-A10H1SBD	10	1.076 (27,34)	15
DP2-A12H1SBD	12	1.279 (32,50)	14

Schematic
SPST

DP,MD系列拨码、检测开关

密封卷带包装—仅使用SMT端子型号

MODEL NO. 'S' OPTION	DIM. 'H' (REF.)	DIM. 'W1' (REF.)	DIM. 'W2' (REF.)	DIM. 'B' (REF.)	DIM. 'C' (REF.)	DIM. 'D' (REF.)	QUANTITY PER REEL
DP2-A01	H0	5.2	24.0	24.4	8.5	11.5	1500
	H1	5.8					1450
DP2-A02	H0	4.8	24.0	24.4	7.9	11.5	750
	H1	5.8					700
DP2-A03	H0	4.8	24.0	24.4	10.4	11.5	750
	H1	5.8					700
DP2-A04	H0	4.8	24.0	24.4	12.9	11.5	750
	H1	5.8					700
DP2-A05	H0	4.8	24.0	24.4	15.4	11.5	750
	H1	5.8					700
DP2-A06	H0	4.8	32.0	32.4	18.0	14.2	28.4
	H1	5.8					700
DP2-A07	H0	4.8	32.0	32.4	20.5	14.2	28.4
	H1	5.8					750
DP2-A08	H0	4.8	44.0	44.4	22.7	20.2	40.4
	H1	5.8					700
DP2-A09	H0	4.8	44.0	44.4	25.5	20.2	40.4
	H1	5.8					700
DP2-A10	H0	4.8	44.0	44.0	28.1	20.2	40.4
	H1	5.8					700
DP2-A12	H0	4.8	44.0	44.4	33.2	20.2	40.4
	H1	5.8					750

NOT CURRENTLY AVAILABLE IN TAPE AND REEL (for DP2-A07, DP2-A12)

