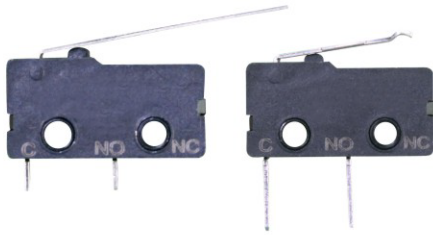


MS2-I 系列弹片&内扣杠杆类普通中微动



产品特性

- ◎ 紧凑型设计
- ◎ 长寿命开关
- ◎ 多种连接式
- ◎ 各种操作方式
- ◎ 电气寿命30万次

典型应用

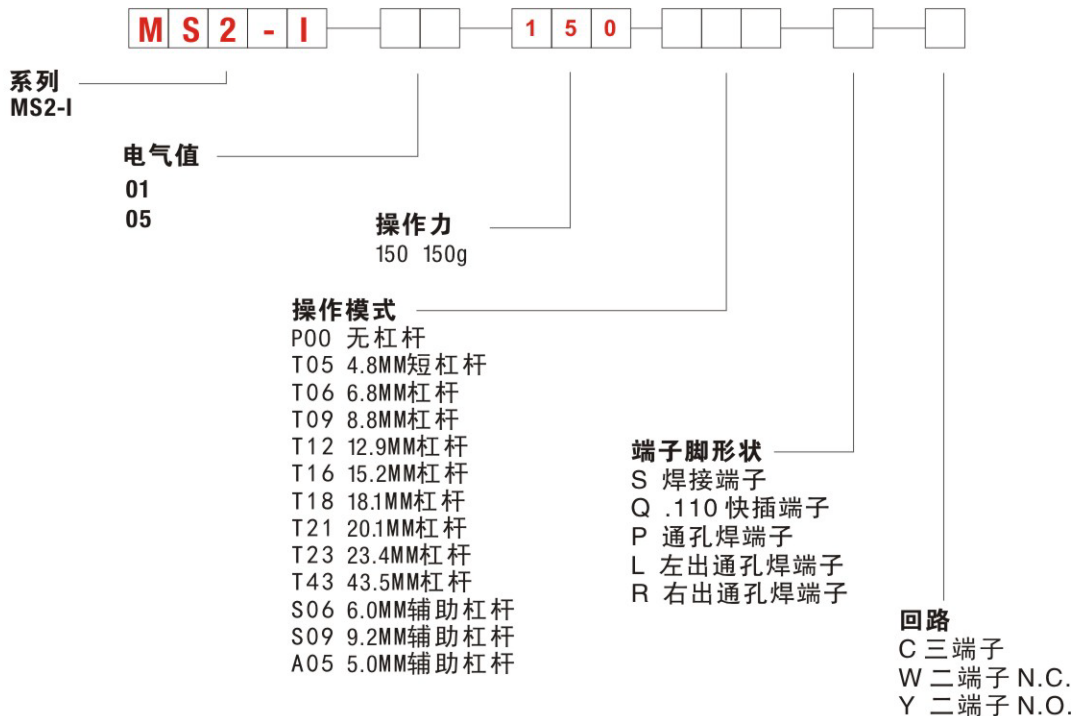
- ◎ 移动设备
- ◎ 恒温控制

产品规格

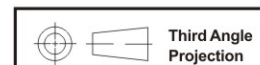
- ◎ 标称值：0-10.1A @ 125/250 VAC
- ◎ 电气寿命：参阅下表
- ◎ 机械寿命：300K Cycles
- ◎ 绝缘电阻：100MΩ min.
- ◎ 抗电强度：1500 Vrms
- ◎ 工作温度：-40°~125°
- ◎ 操作力：150g max (无杠杆)
- ◎ 产品组装：力矩2.3 in/16s max

材质

- ◎ 上壳/底壳：PBT
- ◎ 按钮：PBT
- ◎ 弹片：铍铜
- ◎ 触点：银
- ◎ 端子：黄铜
- ◎ 杠杆：不锈钢



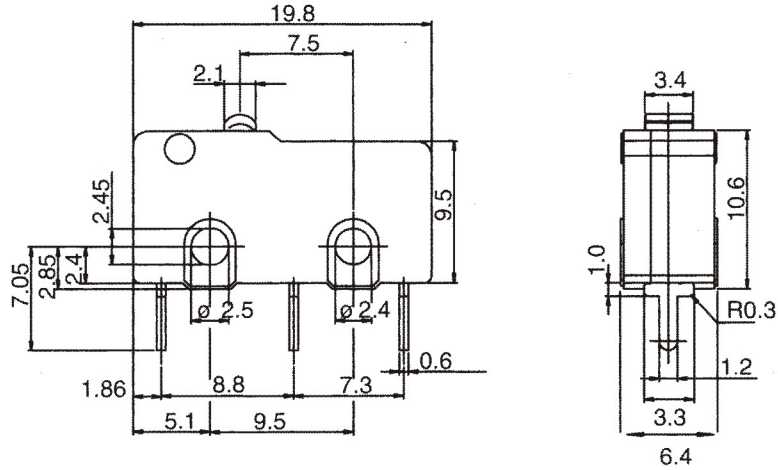
Option Code	UL 61058-1	
01	0.1 A 125/250 V AC 1E4	0.1 A 125/250 V AC 1E4
06	6 A 125/250 V AC 1E4	6 (2)A 125/250 V AC 1E4
10	10.1 A 125/250 V AC 1E4	10.1 A 125/250 V AC 1E4
S5	5 A 125/250 V AC 1E5	NA



Dimensions are shown: inches(mm)
Specifications and dimensions subject to change

系列

MS2-I



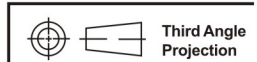
电气值

RoHS COMPLIANT *	RoHS COMPATIBLE *	OPTION CODE	ELECTRICAL RATING
YES	YES	01	0.1A, 125/250 VAC
YES	YES	06	6A, 125/250 VAC
YES	YES	10	10.1A, 125/250 VAC
YES	YES	S5	5A, 125/250 VAC

* Note: See Technical Data section of this catalog for RoHS compliant and compatible definition and specifications.

操作力

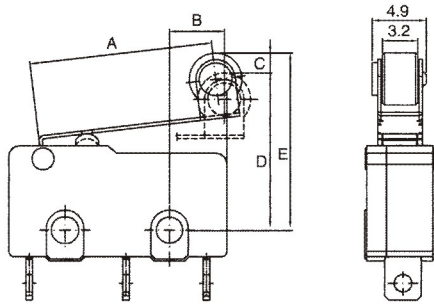
OPTION CODE	OPERATING FORCES (grams)
150	150 grams max.



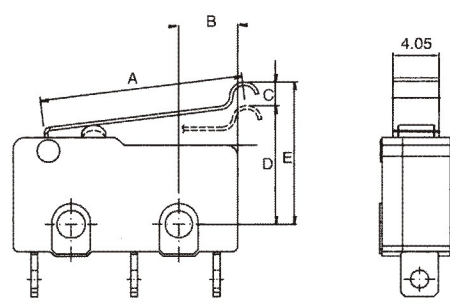
Dimensions are shown: inches(mm)
Specifications and dimensions subject to change

操作模式

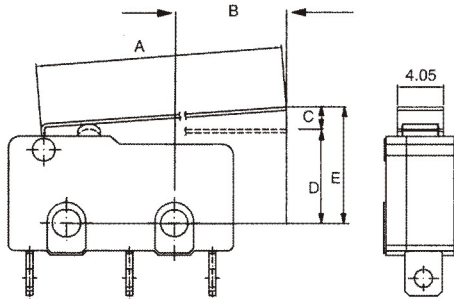
A05 LEVER ROLLER



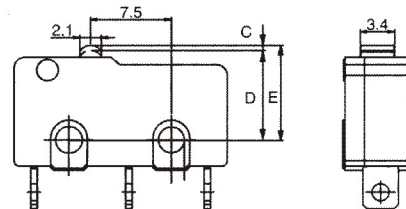
SXX SIMULATED ROLLER



TXX LEVER



P00



ACTUATOR OPTION CODE	A mm	B r mm	eC mm	D mm	E mm	Diff. Motion mm max	Oper. Force max. grams	Release Force min. grams	Over Travel min.
	LENGTH OF LEVER	Lever length for front mtg. hole to OP	PRE TRAVEL (MAX)	OPERATING POSITION	FREE POSITION (MAX)				
P00	NA	NA	1.10	8.55 ± 0.3	9.35	0.20	150	25	0.4
T05	16.70	4.80	3.60	8.95 ± 0.8	11.75	0.80	50	6	0.6
T06	18.70	6.80	4.03	8.9 ± 0.9	12.09	0.90	45	5	0.67
T09	20.60	9.10	5.64	9.15 ± 1.35	13.45	1.83	33	2	0.75
T12	24.80	12.90	3.35	8.95 ± 1.5	13.10	1.19	34	2	0.89
T16	27.10	15.20	7.20	9.15 ± 1.7	15.15	1.30	40	1	0.70
T18	30.00	18.10	7.70	8.95 ± 1.9	14.65	1.50	32	1	1.2
T21	32.00	20.10	8.00	8.15 ± 1.85	15.55	1.60	35	1	1.0
T23	35.20	23.40	8.60	8.95 ± 2.0	15.55	1.80	25	1	1.5
T43	55.20	43.50	10.45	8.95 ± 3.0	19.25	2.90	15	1	1.0
S06	17.90	6.00	3.86	10.85 ± 0.9	17.81	0.86	47	5	0.64
S09	21.10	9.20	5.7	16.15 ± 1.5	20.35	1.00	42	2	1.0
A05	16.60	5.00	3.8	14.65 ± 0.8	17.65	0.80	50	6	0.6

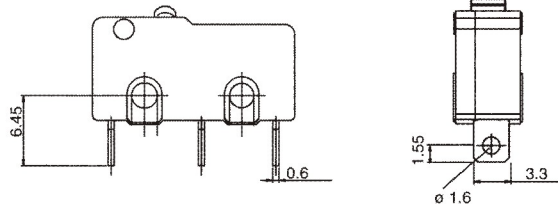


Third Angle
Projection

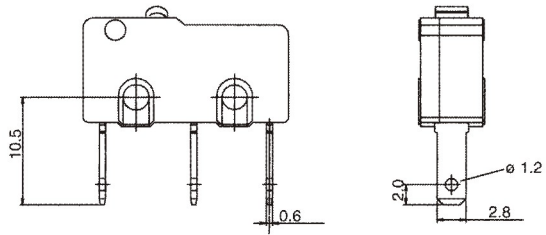
Dimensions are shown: inches(mm)
Specifications and dimensions subject to change

端子脚形状

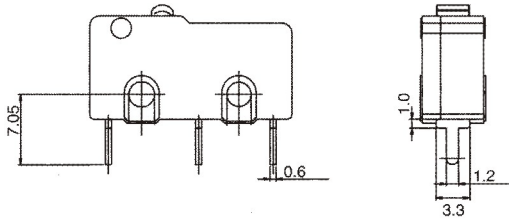
S SOLDER



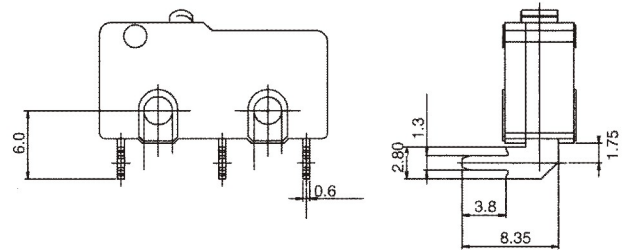
Q QUICK CONNECT



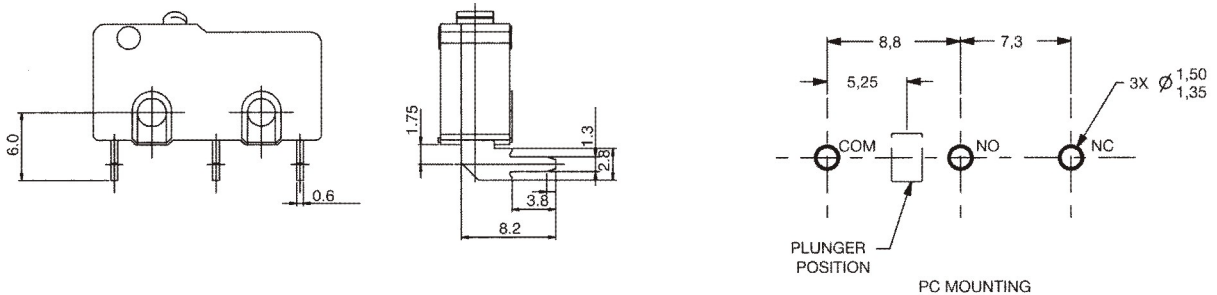
P PC THRU HOLE



L LEFT FORM PC



R RIGHT FORM PC



回路

- C** SPDT (Single Pole, Double Throw)
- W** SPST N.C. (Single Pole, Single Throw, Normally Closed)
- Y** SPST N.O. (Single Pole, Single Throw, Normally Open)



Third Angle Projection
Dimensions are shown: inches(mm)
Specifications and dimensions subject to change